

## PMDC Linear Actuator

**Model: JM24**



### Features:

- Durable Aluminum Gear Casing
- Aluminum Acme Tube & Dust Cover
- Deep Groove Ball Thrust Bearing
- FRP Plastic Gears for added strength and low db
- PMDC Quiet Drive Motor
- Over Sized Brushes for Added Life

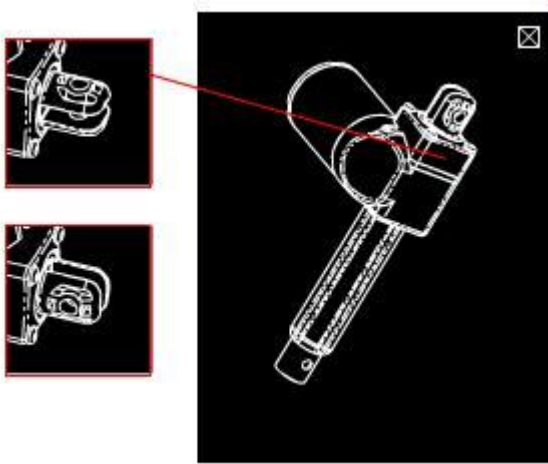
### Options:

- Feedback
- User Defined Strokes
- User Define Cord Set and Connector
- 6~180 VDC

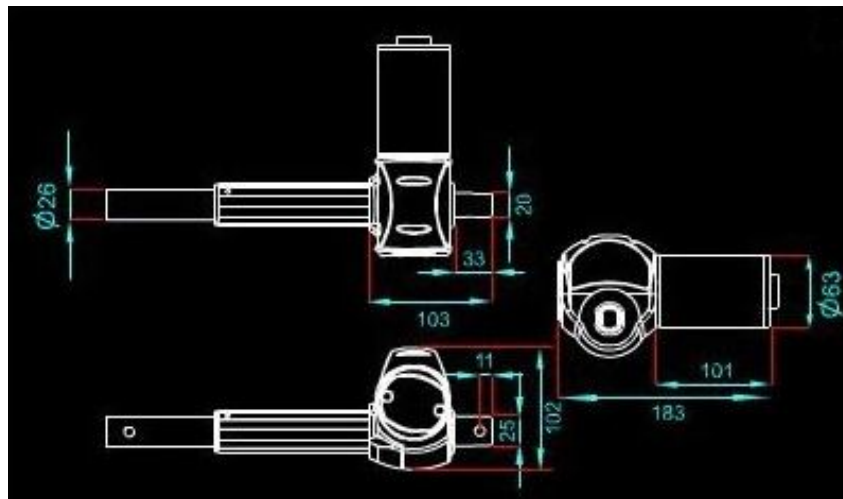
This medium sized actuator can handle thrust loads up to 550 pounds at a travel speed 0.14 inch per second. It is ideal for use in positioning equipment that requires decent travel speeds on medium loads. It is currently used in several fitness equipment applications and jacks.

### Features:

- Electric Jacks
- Flat Screen TV stands
- Fitness Equipment



Optional Mountings



\*

Model: JM24	
Input Voltage	6 to 180 VDC, PMDC
Load Capacity Thrust	550 Pounds (2400 Newton' s)
Travel Speed Inch per Second (mm per sec)	0.14 to 0.42 Inch per sec (3.6 to 10.7mm per sec)
Operating Temperature	40 to 60° C
Duty Cycle	1 Minute On 5 Minutes Off
Thermal Protector Rating	Optional, 80° C 100 volts
Stroke	Customer Defines
Feedback Potentiometer, Optical, Reed	Optional, Internal mounting

Consult us or your factory sales representative for more information or samples